

KIR

Valves for Fire Fighting system

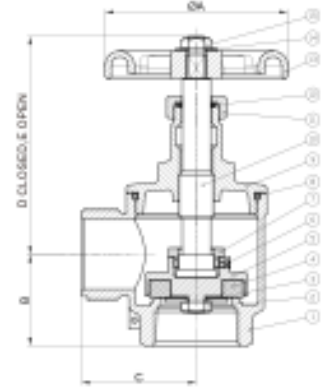


KIRMARY International L.C.C.

KIRMARY

Technical data sheets

HOSE VALVE



KIRMARY

Model No. KM300

ANGLE HOSE VALVE

300lb. RATED

Used with a Fire Hose Rack Assembly

Or as a Fire Dept. outlet connection

FEMALE x MALE

Standard equipment:

Female NPT inlet x male hose thread

Outlet forge brass valve

Red hand wheel.

Optional Finishes:

PB-Polished Brass

RC-Rough Chrome Plated

PC-Polished Chrome Plated

UL LISTED AND FM APPROVED



Thread :

2 1/2" FNPT x MNST

MBCT

MONT

MPHX

MQST

MCLV

MTEM

NYFD

1 1/2" FNPT x MNST

MNPSH

	A	B	C	D	E
1 1/2 X 1 1/2	100	50	63	119	145
1 1/2 X 2 1/2	127	68	79	157	200

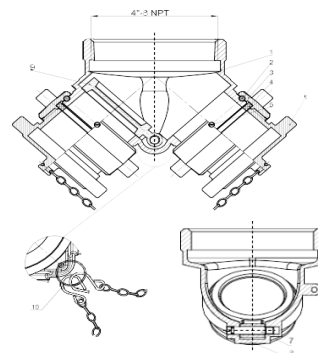
NO	DESCRIPTION	MATERIALS	NO	DESCRIPTION	MATERIALS
1	BODY	ASTM B283 C37700	9	BONNET	ASTM B283 C37700
2	NUT	ASTM B283 C37700	10	STEM	ASTM B283 C37700
3	WASHER	304	11	LOCK NUT	ASTM B283 C37700
4	SEAT SEAL	EPDM (A70)	12	O-RING	EPDM (A70)
5	HOLDER	ASTM B283 C37700	13	HANDLE WHEEL	ZL 102
6	SET SCREW	304	14	WHEEL WASHER	304
7	LOCK NUT	ASTM B283 C37700	15	WHEEL NUT	ASTM B283 C37700
8	O-RING	EPDM (A70)			

E-mail: sales@kirmary.com
info@kirmary.com
kirmary@kirmary.com

website: www.kirmary.com



FIRE DEPARTMENT CONNECTION

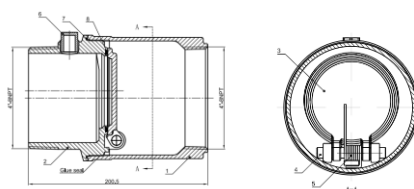


KIRMARY Model No. KM100

Fire Department Connection
 Straight Body, with caps & chain and plate
 Rated to 300PSI
 Size: 4"x2-1/2"x2-1/2"
 UL listed and FM approved



NO	DESCRIPTION	MATERIALS	NO	DESCRIPTION	MATERIALS
1	BODY	C37700	8	O-RING	EPDM (A70±5)
2	BALL BEARING	SST304	9	CLAPPER	C37700
3	COUPLING	C37700	10	KEY-RING	SST304/(copper coating)
4	WASHER	EPDM (A70+5)			
5	SCREWN	C46500/SST304			
6	BRASS CAP+CHAIN	C37700+BRASS/Q235A (copper coating)			
7	HINGE PIN	C37700			



KIRMARY KM600

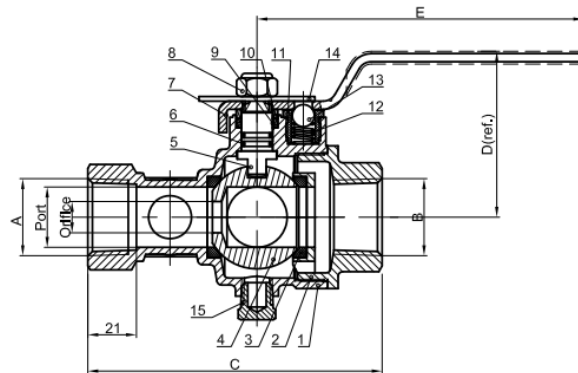
BRASS CHECK VALVE 4"
WORKING PRESSURE 250 PSI

ITEM	NAME	MATERIAL
1	Body	037700
2	Bonnet	037700
3	Baffle	037700
4	Pin	037700
5	Spring	S304
6	Plug	C37700
7	O-RING	NBR
8	O-RING	NBR

E-mail: sales@kirmary.com
info@kirmary.com
kirmary@kirmary.com

website: www.kirmary.com

TEST AND DRAIN VALVE



KIRMARY

Model No. KM200

TEST AND DRAIN VALVE

Features

Working Pressure: 300 PSI

Size: 1", 1-1/4", 1-1/2", 2"

K-Factor: 5.6

Certificated Size: Positive positioning of handle for OFF, TEST, or DRAIN.

Large, integral sight glass on both sides.

UL listed and FM approved



Dimension Table

A/B	Orifice	Port	C	D(ref.)	E	H
NPT 1"	1/2(0.512)	1.024	5	2.76	5.16	1.65
NPT 1-1/4"	1/2(0.528)	1.024	5	2.76	5.16	1.65
NPT 1-1/2"	1/2(0.524)	1.575	6.57	3.5	6.34	2.28
NPT 2"	1/2(0.524)	1.575	6.57	3.5	6.34	2.28

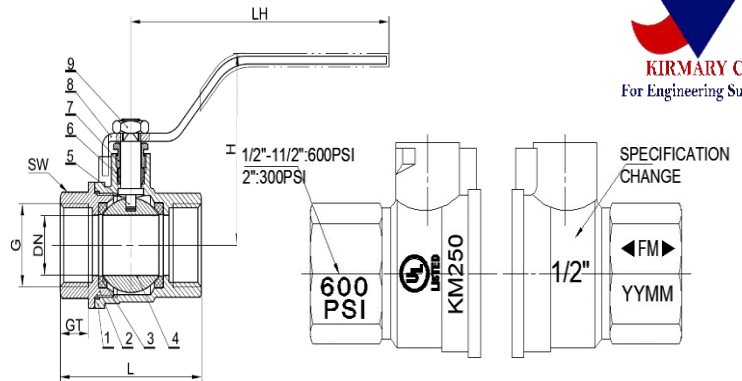
Material Description

Item	Name	Material	Item	Name	Material
1.	Body	C37700	2.	Cap	C37700
3.	Seal	PTFE	4.	Ball	C37700
5.	Stem	C37700	6.	O-Ring	NBR
7.	Lever	Steel	8.	Nut	Steel
9.	Gland Packing	PTFE	10.	Gland Ring	C37700
11.	Gland Nut	C37700	12.	Spring	304
13.	Steel Ball	304	14.	Indicator Plate	Steel
15.	Plug	C37700	16.	Washer	NBR
17.	Sight Glass	Lexan	18.	Retaining Ring	C37700

E-mail: sales@kirmary.com
info@kirmary.com
kirmary@kirmary.com

website: www.kirmary.com

BALL VALVE



KIRMARY

Model No. KM250

BALL VALVE

Sizes: 1/2"- 3/4"- 1"-1 1/4"- 1 1/2"- 2"- 2 1/2"

Working pressure

1/2"-1 1/2": 600PSI

2": 300PSI

2 1/2"-3": 600 PSI WOG

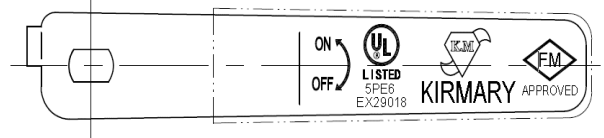
UL listed and FM approved

1.Dimension

G	DN	L	H	SW	Gt	LH
NPT 1/2"-14	14.5	57	51.5	25	15.5	89
NPT 3/4"-14	19.5	63	61	31	16	104
NPT 1"-11.5	24.5	75.5	63.5	38	19	117.5
NPT 1 1/4"-11.5	32	86.5	70	47	19.5	117.5
NPT 1 1/2"-11.5	40	94.2	94	53	19.5	145
NPT 2"-11.5	50	108	102	65	20	145
NPT 2 1/2"-8	64	136	114.5	81	23.5	233
NPT 3"-8	75	157.5	124	98	25.5	233

2.Material

NO	Part	Material	NO	Part	Material
1	Body	C37700	2	Bonnet	C37700
3	Seal	PTFE	4	Ball	C37700
5	Stem	HPb59-1	6	Stem Packing	PTFE
7	Gland Nut	C37700	8	Handle	Steel
9	Handle Nut	Steel			



E-mail: sales@kirmary.com
info@kirmary.com
kirmary@kirmary.com

website: www.kirmary.com

ACCESSORIES



KIRMARY

KM650

BRASS COUPLING MALE FOR
ANGLE HOSE VALE

SIZE: 2 ½"



KIRMARY

KM500

PLATE FOR FIRE DEPARTMENT
CONNECTION



KIRMARY

KM400

BRASS COUPLING FOR
FIRE DEPARTMENT CONNECTION

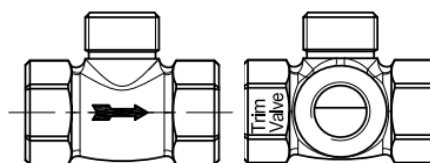
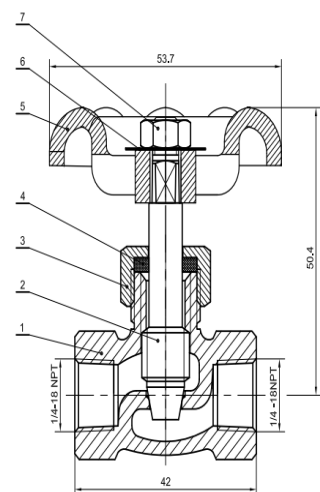
SIZE: 2 ½"

E-mail: sales@kirmary.com
info@kirmary.com
kirmary@kirmary.com

website: www.kirmary.com



BRONZE 3-WAY GLOBAL VALVE

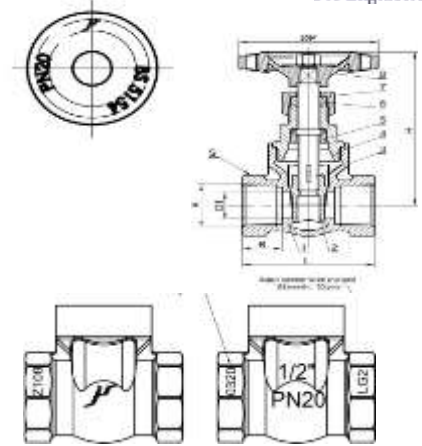


KIRMARY
Model No. KM150
Bronze 3-way Global valve
Female NPT x Female NPT
Rated to 600 PSI
Size: 1/4
UL listed

E-mail: sales@kirmary.com
info@kirmary.com
kirmary@kirmary.com

website: www.kirmary.com

GATE VALVE



Model No. KM10

GATE VALVE

WRAS APPROVED

CODE	DESCRIPTION	MATERIAL
1	BODY	C83600
2	WEDGE	C83600
3	STEM	CW602N
4	BONNET	C83600
5	STEM NUT	C37700
6	PACKING GLAND	PTFE
7	COMPRESSION NUT	C37700
8	HANDWHEEL	ALL

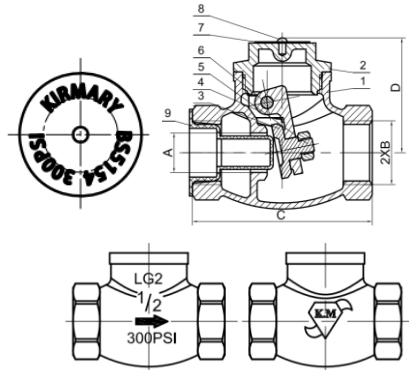
Z108								
DN	L	H	D1 (Ø)	Ø P	A	B	S	WT
½	49.5	73.9	12.7	56	RC ½	15	27	271
¾	53.5	88.3	19.1	68.5	RC ¾	16.5	34	398
1	62	111.3	25.4	75	RC1	18	40	563
1 ¼	70	117.9	31.8	80	RC 1 ¼	20	50	856
1 ½	77	136.5	38.2	93	RC 1 ½	21.5	58	1260
2	87	166.5	50.9	100	RC 2	26	70	1886

E-mail: sales@kirmary.com
info@kirmary.com
kirmary@kirmary.com

website: www.kirmary.com



BRONZE CHECK VALVE



KIRMARY

KM700

BRONZE CHECK VALVE

Sizes: 1/2" - 3/4" - 1" - 1 1/4" - 1 1/2" - 2"
 Designed to BS 5154
 Pressure Rating: 300Psi
 Working Medium: Water, Oil, Steam
 Horizontal Swing Pattern • Threaded Cover
 Suitable for mounting in horizontal and vertical pipe
 (with vertical flow upwards)
 NPT Thread

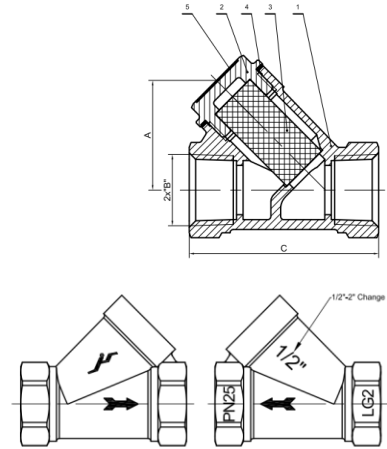
CODE	DESCRIPTION	MATERIAL
1	BODY	C83600
2	CAP	C83600
3	SWING CHECK	C83600
4	STEM	C37700
5	SCREW	HPb59-1
6	STOP PEN	S304
7	NAME PLATE	AL
8	BOLT	S304
9	PROTECTIVE COVER	PP

BRONZE CHECK VALVE				
DN	A	B	C	D
Y2	13	1/2-14NPT	59	37
%	18	3/4-NPT	66	44
1	25	1-11.5NPT	76	50
1X4	32	1 1/4-1.1.5NPT	88	58
1M	42	1 1/2-11.5NPT	92	63
2	40	2.11.5NPT	112	72

E-mail: sales@kirmary.com
info@kirmary.com
kirmary@kirmary.com

website: www.kirmary.com

STRAINER



KIRMARY

STRAINER

PN20

Size: ½ - ¾ - 1 - 1 ¼ - 1 ½ - 2

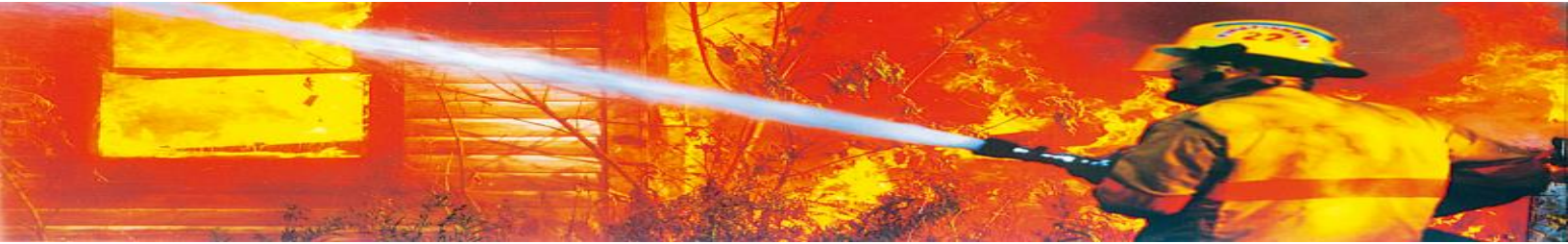
WRAS APPROVED

CODE	DESCRIPTION	MATERIAL
1	BODY	CC491K
2	BONNET	CC491K
3	FILTER SCREEN	304
4	SHIM	PTFE
5	FAMOUS BRAND	ALUMINUM

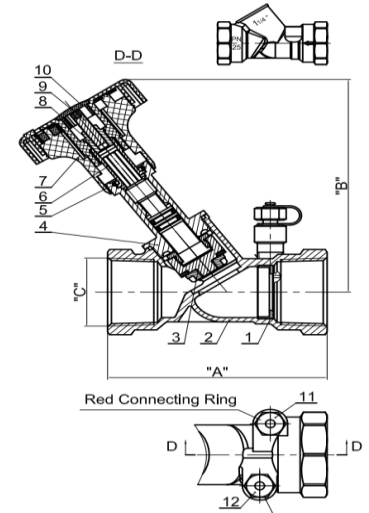
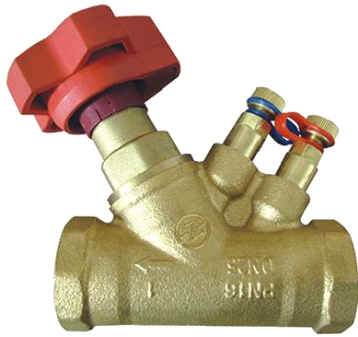
DN	A	B	C	WEIGHT(g)
½	33	Rc ½	58	200
¾	41	Rc ¾	70	295
1	49	Rc 1	88	419
1 ¼	56	Rc 1 ¼	96	679
1 ½	62	Rc 1 ½	107	979
2	80	Rc 2	126	1503

E-mail: sales@kirmary.com
info@kirmary.com
kirmary@kirmary.com

website: www.kirmary.com



BALANCING VALVE



KIRMARY BALANCING VALVE

PN25

Size: ½ - ¾ - 1 - 1 ¼ - 1 ½ - 2

WRAS APPROVED

CODE	DESCRIPTION	MATERIAL
1	BODY	C83600
2	Retaining Ring	CW602N
3	Stem Assembly	/
4	Bonnet	CW602N
5	Circlip	304
6	Connecting Rod	CW602N
7	Handwheel Assembly	PA66+30GF
8	Connecting Screw	CW602N
9	Internal Hexagonal Screw	304
10	Stuffy Cover	ABS
11	Exhaust Nozzle	/
12	Exhaust Nozzle	/

DN	A	B	C	WEIGHT(g)	Working Pressure	Working Temperature	Design Standard
½	87.0	108.4	Rc ½	559	PN25	-10° C to 85° C	BS 7350:1990
¾	96.0	110.4	Rc ¾	630			
1	100	113	Rc 1	875			
1 ¼	114	133.5	Rc 1 ¼	1049			
1 ½	125	146.7	Rc 1 ½	1455			
2	146	149	Rc 2	2083			

E-mail: sales@kirmary.com
info@kirmary.com
kirmary@kirmary.com

website: www.kirmary.com

UL/FM Certificates



Certificate of Compliance

This certificate is issued for the following:

Angle and Straightaway Hose Valves

KM300

Prepared for:

Kirmary International LLC

91 Linden Ave

Irvington Township, New Jersey 07111

USA

Approval Standard: FM 1521, 1522 (December 2014)

Approval Identification: PR465870

Approval Granted: 3 May 2023

To verify the availability of the Approved product, please refer to www.approvalguide.com

Said Approval is subject to satisfactory field performance, continuing Surveillance Audits, and strict conformity to the constructions as shown in the Approval Guide, an online resource of FM Approvals.

A handwritten signature in black ink, appearing to read "D.B. Fuller", is written over a horizontal line.

David B. Fuller

VP, Manager – Fire Protection

FM Approvals

1151 Boston-Providence Turnpike

Norwood, MA 02062



Member of the FM Global Group



VTSR.EX29020 - Hose Valves

Hose Valves

Kirmary International LLC

EX29020

91 Linden Ave
Irvington, NJ 07111-2562 United States

Angle types, 1-1/2, with female/female (NPT/NPS) and female/male (NPS) ends. for a maximum working pressure of 300 psi, for use on a fire hose rack assembly, or as a fire department outlet connection, Model(s) **KM300**

Angle types, 2-1/2 in., with female/female (NPT/NPS), female/male (NPS), Female NPT/Male NYC, GRV by Male NH, GRV by Male NYC and Male NH by Male NYC for a maximum working pressure of 300 psi, for use on a fire hose rack assembly, or as a fire department outlet connection, Model(s) KM300

Trademark and/or Tradename:



, "KIRMARY"

Last Updated on 2023-04-05

The appearance of a company's name or product in this database does not in itself assure that products so identified have been manufactured under UL Solutions' Follow - Up Service. Only those products bearing the UL Mark should be considered to be Certified and covered under UL Solutions' Follow - Up Service. Always look for the Mark on the product.

UL Solutions permits the reproduction of the material contained in Product iQ subject to the following conditions: 1. The Guide Information, Assemblies, Constructions, Designs, Systems, and/or Certifications (files) must be presented in their entirety and in a non-misleading manner, without any manipulation of the data (or drawings). 2. The statement "Reprinted from Product iQ with permission from UL Solutions" must appear adjacent to the extracted material. In addition, the reprinted material must include a copyright notice in the following format: "©2023 UL LLC."



Certificate of Compliance

This certificate is issued for the following:

Fire Department Connections

KM100

Prepared for:

Kirmary International LLC

91 Linden Ave

Irvington Township, New Jersey 07111

USA

Approval Standard: FM 1530 (November 2016)

Approval Identification: PR465870

Approval Granted: 3 May 2023

To verify the availability of the Approved product, please refer to www.approvalguide.com

Said Approval is subject to satisfactory field performance, continuing Surveillance Audits, and strict conformity to the constructions as shown in the Approval Guide, an online resource of FM Approvals.

A handwritten signature in black ink, appearing to read 'D.B. Fuller', written over a horizontal line.

David B. Fuller

VP, Manager – Fire Protection

FM Approvals

1151 Boston-Providence Turnpike

Norwood, MA 02062



Member of the FM Global Group



KM100 - Fire Department Connections

Fire Department Connections

File Number: EX29019

COMPANY

Kirmary International LLC

91 Linden Ave
Irvington, NJ 07111-2562 United States

MODEL INFO

KM100

Exposed Type

PRODUCT INFORMATION				
Pattern	Size, in.	Inlet End Type	Outlet End Type	Rated Pressure, psig (kPa)
Straightway	2-1/2 x 2-1/2 x 4	NST	NPT	300 (2070)



The appearance of a company's name or product in this database does not in itself assure that products so identified have been manufactured under UL Solutions' Follow - Up Service. Only those products bearing the UL Mark should be considered to be Certified and covered under UL Solutions' Follow - Up Service. Always look for the Mark on the product.

UL Solutions permits the reproduction of the material contained in Product iQ subject to the following conditions: 1. The Guide Information, Assemblies, Constructions, Designs, Systems, and/or Certifications (files) must be presented in their entirety and in a non-misleading manner, without any manipulation of the data (or drawings). 2. The statement "Reprinted from Product iQ with permission from UL Solutions" must appear adjacent to the extracted material. In addition, the reprinted material must include a copyright notice in the following format: "©2023 UL LLC."



Certificate of Compliance

This certificate is issued for the following:

Sprinkler System Alarm Test Devices

KM200

Prepared for:

Kirmary International LLC

91 Linden Ave
Irvington Township, New Jersey 07111
USA

Approval Standard: FM 1625 (December 2009)

Approval Identification: PR465870

Approval Granted: 3 May 2023

To verify the availability of the Approved product, please refer to www.approvalguide.com

Said Approval is subject to satisfactory field performance, continuing Surveillance Audits, and strict conformity to the constructions as shown in the Approval Guide, an online resource of FM Approvals.

A handwritten signature in dark ink, appearing to read 'D.B. Fuller', written over a horizontal line.

David B. Fuller
VP, Manager – Fire Protection
FM Approvals
1151 Boston-Providence Turnpike
Norwood, MA 02062



Member of the FM Global Group



KM200 - Drain Fittings, Special Type

Drain Fittings, Special Type

File Number: EX29017

COMPANY

Kirmary International LLC

91 Linden Ave
Irvington, NJ 07111-2562 United States

MODEL INFO

KM200

PRODUCT INFORMATION		
Size, in.	Nominal K-Factor, gpm/v(psi) [L/min/v(kPa)]	Rated Pressure, psi (kPa)
1	5.6 (8)	300 (2070)
1-1/4	5.6 (8)	300 (2070)
1-1/2	5.6 (8)	300 (2070)
2	5.6 (8)	300 (2070)

The appearance of a company's name or product in this database does not in itself assure that products so identified have been manufactured under UL Solutions' Follow - Up Service. Only those products bearing the UL Mark should be considered to be Certified and covered under UL Solutions' Follow - Up Service. Always look for the Mark on the product.

UL Solutions permits the reproduction of the material contained in Product iQ subject to the following conditions: 1. The Guide Information, Assemblies, Constructions, Designs, Systems, and/or Certifications (files) must be presented in their entirety and in a non-misleading manner, without any manipulation of the data (or drawings). 2. The statement "Reprinted from Product iQ with permission from UL Solutions" must appear adjacent to the extracted material. In addition, the reprinted material must include a copyright notice in the following format: "©2023 UL LLC."



Certificate of Compliance

This certificate is issued for the following:

Quick Opening Valves 1/4 Inch Through 2 Inch Nominal Size

KM250

Prepared for:

Kirmary International LLC

91 Linden Ave

Irvington Township, New Jersey 07111

USA

Approval Standard: FM 1140 (October 1998)

Approval Identification: PR465870

Approval Granted: 3 May 2023

To verify the availability of the Approved product, please refer to www.approvalguide.com

Said Approval is subject to satisfactory field performance, continuing Surveillance Audits, and strict conformity to the constructions as shown in the Approval Guide, an online resource of FM Approvals.

A handwritten signature in black ink that reads 'D. B. Fuller'.

David B. Fuller

VP, Manager – Fire Protection

FM Approvals

1151 Boston-Providence Turnpike

Norwood, MA 02062



Member of the FM Global Group



KM250 - Valves, Trim and Drain

Valves, Trim and Drain

File Number: EX29018

COMPANY

Kirmary International LLC

91 Linden Ave
Irvington, NJ 07111-2562 United States

MODEL INFO

KM250

Ball

ATTRIBUTES AND RATINGS

Size, in. (mm)	Rated Pressure, psig (kPa)
1/4 (6.4);3/8 (9.5);1/2 (12.7);3/4 (19.1);1 (25.4);1-1/4 (31.8);1-1/2 (38.1)	600 (4136)
2 (50.8)	300 (2068)

The appearance of a company's name or product in this database does not in itself assure that products so identified have been manufactured under UL Solutions' Follow - Up Service. Only those products bearing the UL Mark should be considered to be Certified and covered under UL Solutions' Follow - Up Service. Always look for the Mark on the product.

UL Solutions permits the reproduction of the material contained in Product iQ subject to the following conditions: 1. The Guide Information, Assemblies, Constructions, Designs, Systems, and/or Certifications (files) must be presented in their entirety and in a non-misleading manner, without any manipulation of the data (or drawings). 2. The statement "Reprinted from Product iQ with permission from UL Solutions" must appear adjacent to the extracted material. In addition, the reprinted material must include a copyright notice in the following format: "©2023 UL LLC."

KM150 - Valves, Trim and Drain

Valves, Trim and Drain

File Number: EX29018

COMPANY

Kirmary International LLC

91 Linden Ave
Irvington, NJ 07111-2562 United States

MODEL INFO

KM150

3-Way Globe

ATTRIBUTES AND RATINGS

Size, in. (mm)	Rated Pressure, psig (kPa)
1/4 (6.4)	600 (4136)

The appearance of a company's name or product in this database does not in itself assure that products so identified have been manufactured under UL Solutions' Follow - Up Service. Only those products bearing the UL Mark should be considered to be Certified and covered under UL Solutions' Follow - Up Service. Always look for the Mark on the product.

UL Solutions permits the reproduction of the material contained in Product iQ subject to the following conditions: 1. The Guide Information, Assemblies, Constructions, Designs, Systems, and/or Certifications (files) must be presented in their entirety and in a non-misleading manner, without any manipulation of the data (or drawings). 2. The statement "Reprinted from Product iQ with permission from UL Solutions" must appear adjacent to the extracted material. In addition, the reprinted material must include a copyright notice in the following format: "©2023 UL LLC."



KIRMARY International L.L.C.

KIRMARY USA Office

KIRMARY International L.C.C.

Address: 91 LINDEN AVE IRVINGTON TOWNSHIP, NEW JERSEY 07111

MOB.5517553043

KIRMARY DUBAI Office

KIRMARY TRADING L.L.C

Address: PT2-C05 MALAK DUBAI INDUSTRIAL CITY

MOB. +971 54 477 8505

KIRMARY Egypt Office

KIRMARY FOR ENGINEERING SUPPLIES

Address: 5 A Khaled Ebn El Waleed St., Sheraton, Cairo, Egypt

MOB. 012 27905248