

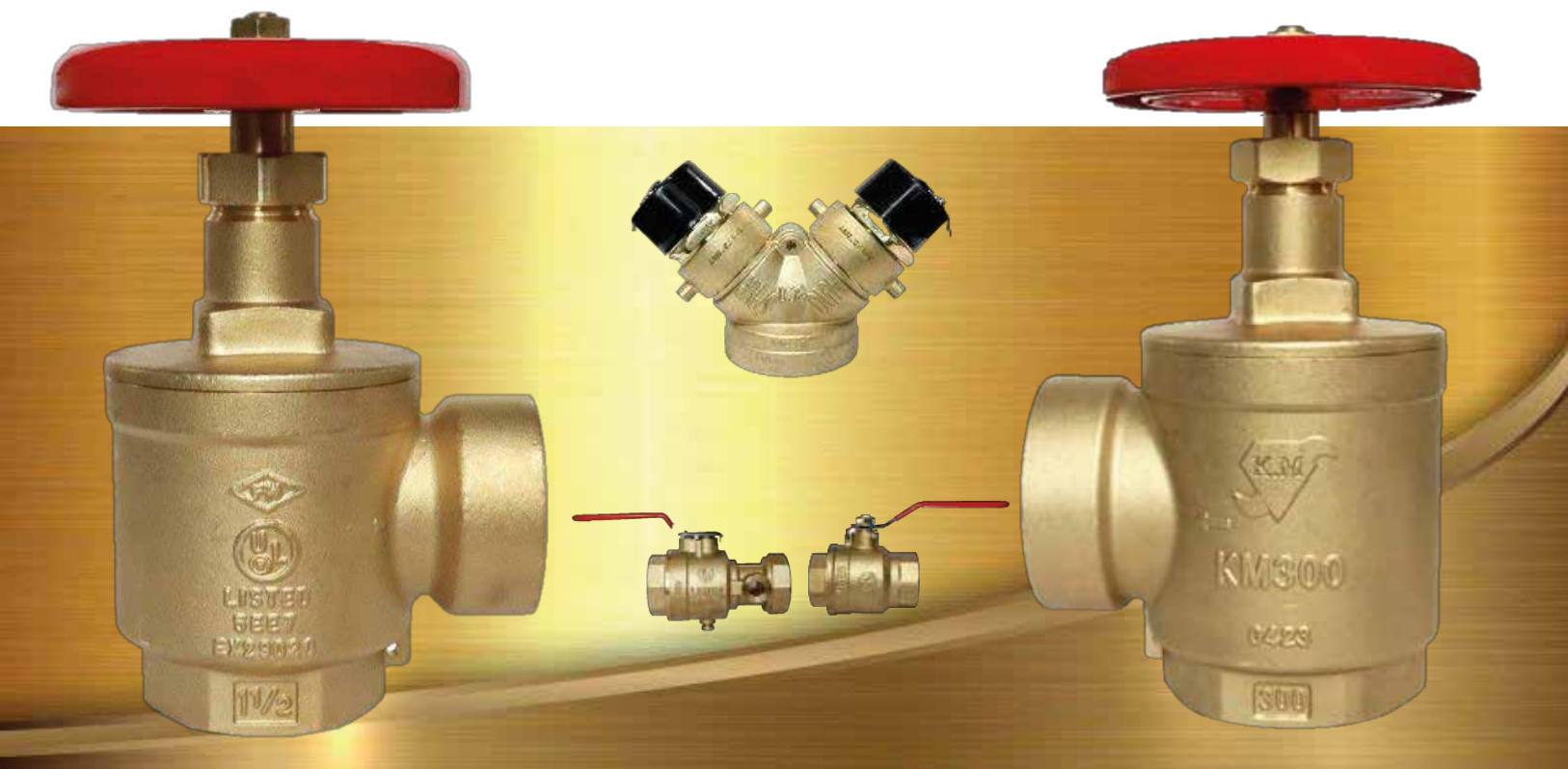
KIRMARY International L.L.C.

www.kirmary.com



KIRMARY
For Engineering Supplies
Fire Protection System

FIRE PROTECTION PRODUCTS



KIRMARY International L.L.C.



Brief Introduction of The Company

KIRMARY was established in 2008 by chairman and founder Eng. Wael Bahig, with his large experience in the field of firefighting systems.

KIRMARY Co., is one of the largest & most growing companies, known of our impeccable reputation, integrity and Reliability. We are specialized in supplying fire protection systems to the largest & most prestigious contracting companies. We do supply our products to the biggest and the most important projects which currently taking place in different spots all over the world.

Our products are FM, UL, ULC, LBCP and ISO certified.

We are offering our own products with our own brand name, plus being the Exclusive agent for many famous brands.

Kirmary is the biggest stock-maker in the field of firefighting products. We can always support you with the best & highest quality, the most competitive prices, along with the huge stock availability for immediate purchase and on-time delivery.

Our strategy is ensuring to our clients the best service, as well as providing them with more facilities, and maintain an honest, clear relationship, dealing with transparency and gaining loyal clients.

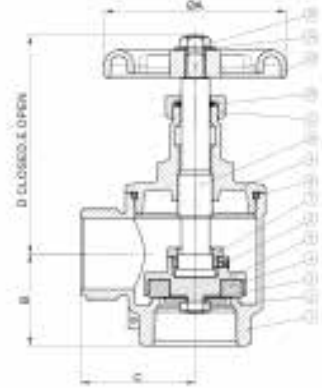
Kirmary is a one-stop-shop for all your needs of firefighting products. We put your need first, offering professional firefighting solutions.



HOSE VALVE



KIRMARY
For Engineering Supplies
Fire Protection System



KIRMARY

Model No. KM300

ANGLE HOSE VALVE

300lb. RATED

Used with a Fire Hose Rack Assembly

Or as a Fire Dept. outlet connection

FEMALE x MALE

Standard equipment:

Female NPT inlet x male hose thread

Outlet forge brass valve

Red hand wheel.

Optional Finishes:

PB-Polished Brass

RC-Rough Chrome Plated

PC-Polished Chrome Plated

UL LISTED AND FM APPROVED



Thread :

2 1/2" FNPT x MNST

MBCT

MONT

MPHX

MQST

MCLV

MTEM

NYFD

1 1/2" FNPT x MNST

MNPSH

| | A | B | C | D | E |
|---------------|-----|----|----|-----|-----|
| 1 1/2 X 1 1/2 | 100 | 50 | 63 | 119 | 145 |
| 1 1/2 X 2 1/2 | 127 | 68 | 79 | 157 | 200 |

| NO | DESCRIPTION | MATERIALS | NO | DESCRIPTION | MATERIALS |
|----|-------------|------------------|----|--------------|------------------|
| 1 | BODY | ASTM B283 C37700 | 9 | BONNET | ASTM B283 C37700 |
| 2 | NUT | ASTM B283 C37700 | 10 | STEM | ASTM B283 C37700 |
| 3 | WASHER | 304 | 11 | LOCK NUT | ASTM B283 C37700 |
| 4 | SEAT SEAL | EPDM (A70) | 12 | O-RING | EPDM (A70) |
| 5 | HOLDER | ASTM B283 C37700 | 13 | HANDLE WHEEL | ZL 102 |
| 6 | SET SCREW | 304 | 14 | WHEEL WASHER | 304 |
| 7 | LOCK NUT | ASTM B283 C37700 | 15 | WHEEL NUT | ASTM B283 C37700 |
| 8 | O-RING | EPDM (A70) | | | |

E-mail: sales@kirmary.com

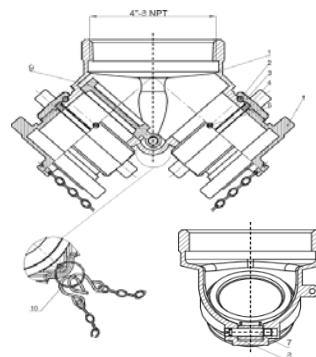
info@kirmary.com

kirmary@kirmary.com

website: www.kirmary.com



FIRE DEPARTMENT CONNECTION

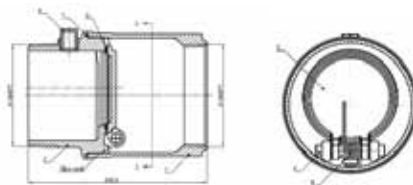


KIRMARY **Model No. KM100**

Fire Department Connection
Straight Body, with caps & chain and plate
Rated to 300PSI
Size: 4"x2-1/2"x2-1/2"
UL listed and FM approved



| NO | DESCRIPTION | MATERIALS | NO | DESCRIPTION | MATERIALS |
|----|-----------------|-------------------------------------|----|-------------|-------------------------|
| 1 | BODY | C37700 | 8 | O-RING | EPDM (A70±5) |
| 2 | BALL BEARING | SST304 | 9 | CLAPPER | C37700 |
| 3 | COUPLING | C37700 | 10 | KEY-RING | SST304/(copper coating) |
| 4 | WASHER | EPDM (A70+5) | | | |
| 5 | SCREWN | C46500/SST304 | | | |
| 6 | BRASS CAP+CHAIN | C37700+BRASS/Q235A (copper coating) | | | |
| 7 | HINGE PIN | C37700 | | | |



KIRMARY **KM600**

BRASS CHECK VALVE 4"
WORKING PRESSURE 250 PSI

| ITEM | NAME | MATERIAL |
|------|--------|----------|
| 1 | Body | 037700 |
| 2 | Bonnet | 037700 |
| 3 | Baffle | 037700 |
| 4 | Pin | 037700 |
| 5 | Spring | S304 |
| 6 | Plug | C37700 |
| 7 | O-RING | NBR |
| 8 | O-RING | NBR |

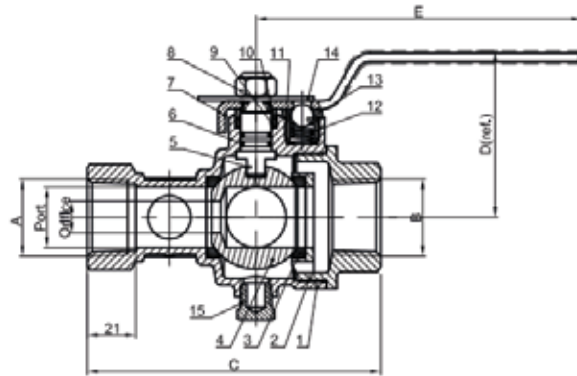
E-mail: sales@kirmary.com
info@kirmary.com
kirmary@kirmary.com

website: www.kirmary.com

TEST AND DRAIN VALVE



KIRMARY
For Engineering Supplies
Fire Protection System



KIRMARY

Model No. KM200

TEST AND DRAIN VALVE

Features

Working Pressure: 300 PSI

Size: 1", 1-1/4", 1-1/2", 2"

K-Factor: 5.6

Certificated Size: Positive positioning of handle for OFF, TEST, or DRAIN.

Large, integral sight glass on both sides.

UL listed and FM approved



Dimension Table

| A/B | Orifice | Port | C | D(ref.) | E | H |
|------------|------------|-------|------|---------|------|------|
| NPT 1" | 1/2(0.512) | 1.024 | 5 | 2.76 | 5.16 | 1.65 |
| NPT 1-1/4" | 1/2(0.528) | 1.024 | 5 | 2.76 | 5.16 | 1.65 |
| NPT 1-1/2" | 1/2(0.524) | 1.575 | 6.57 | 3.5 | 6.34 | 2.28 |
| NPT 2" | 1/2(0.524) | 1.575 | 6.57 | 3.5 | 6.34 | 2.28 |

Material Description

| Item | Name | Material | Item | Name | Material |
|------|---------------|----------|------|-----------------|----------|
| 1. | Body | C37700 | 2. | Cap | C37700 |
| 3. | Seal | PTFE | 4. | Ball | C37700 |
| 5. | Stem | C37700 | 6. | O-Ring | NBR |
| 7. | Lever | Steel | 8. | Nut | Steel |
| 9. | Gland Packing | PTFE | 10. | Gland Ring | C37700 |
| 11. | Gland Nut | C37700 | 12. | Spring | 304 |
| 13. | Steel Ball | 304 | 14. | Indicator Plate | Steel |
| 15. | Plug | C37700 | 16. | Washer | NBR |
| 17. | Sight Glass | Lexan | 18. | Retaining Ring | C37700 |

E-mail: sales@kirmary.com

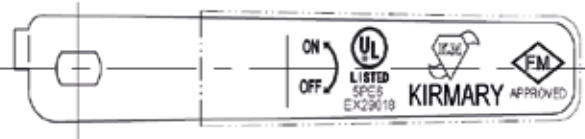
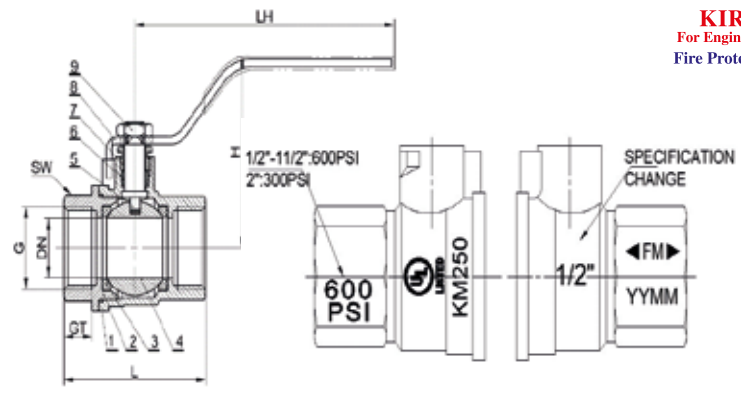
info@kirmary.com

kirmary@kirmary.com

website: www.kirmary.com



BALL VALVE



KIRMARY
Model No. KM250

BALL VALVE
 Sizes: 1/2"- 3/4"- 1"-1 1/4"- 1 1/2"- 2"- 2 1/2"
 Working pressure
 1/2"-1 1/2": 600PSI
 2": 300PSI
 2 1/2"-3": 600 PSI WOG
 UL listed and FM approved



1.Dimension

| G | DN | L | H | SW | Gt | LH |
|-----------------|------|-------|-------|----|------|-------|
| NPT 1/2"-14 | 14.5 | 57 | 51.5 | 25 | 15.5 | 89 |
| NPT 3/4"-14 | 19.5 | 63 | 61 | 31 | 16 | 104 |
| NPT 1"-11.5 | 24.5 | 75.5 | 63.5 | 38 | 19 | 117.5 |
| NPT 1 1/4"-11.5 | 32 | 86.5 | 70 | 47 | 19.5 | 117.5 |
| NPT 1 1/2"-11.5 | 40 | 94.2 | 94 | 53 | 19.5 | 145 |
| NPT 2"-11.5 | 50 | 108 | 102 | 65 | 20 | 145 |
| NPT 2 1/2"-8 | 64 | 136 | 114.5 | 81 | 23.5 | 233 |
| NPT 3"-8 | 75 | 157.5 | 124 | 98 | 25.5 | 233 |

2.Material

| NO | Part | Material | NO | Part | Material |
|----|------------|----------|----|--------------|----------|
| 1 | Body | C37700 | 2 | Bonnet | C37700 |
| 3 | Seal | PTFE | 4 | Ball | C37700 |
| 5 | Stem | HPb59-1 | 6 | Stem Packing | PTFE |
| 7 | Gland Nut | C37700 | 8 | Handle | Steel |
| 9 | Handle Nut | Steel | | | |

E-mail: sales@kirmary.com
info@kirmary.com
kirmary@kirmary.com

website: www.kirmary.com



KIRMARY
For Engineering Supplies
Fire Protection System



KIRMARY

KM650

BRASS COUPLING MALE FOR
ANGLE HOSE VALE

SIZE: 2 ½"



KIRMARY

KM500

PLATE FOR FIRE DEPARTMENT
CONNECTION



KIRMARY

KM400

BRASS COUPLING FOR
FIRE DEPARTMENT CONNECTION

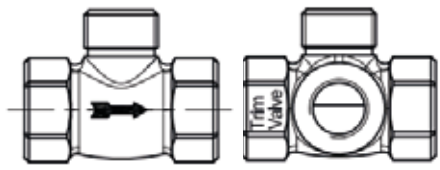
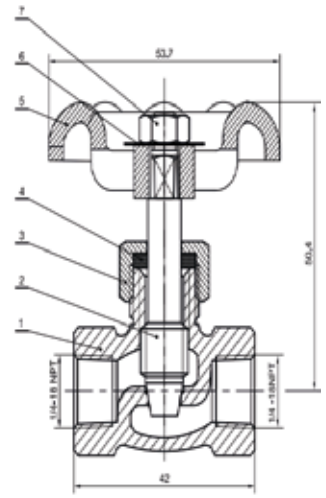
SIZE: 2 ½"

E-mail: sales@kirmary.com
info@kirmary.com
kirmary@kirmary.com

website: www.kirmary.com



BRONZE 3-WAY GLOBAL VALVE



KIRMARY
Model No. KM150
Bronze 3-way Global valve
Female NPT x Female NPT
Rated to 600 PSI
Size: 1/4
UL listed

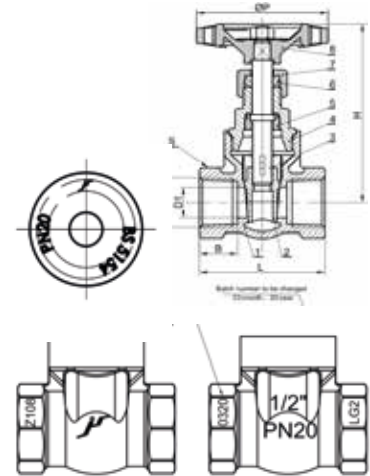
E-mail: sales@kirmary.com
info@kirmary.com
kirmary@kirmary.com

website: www.kirmary.com

GATE VALVE



KIRMARY
For Engineering Supplies
Fire Protection System



JY Model No. Z108

GATE VALVE

WRAS APPROVED

| CODE | DESCRIPTION | MATERIAL |
|------|-----------------|----------|
| 1 | BODY | C83600 |
| 2 | WEDGE | C83600 |
| 3 | STEM | CW602N |
| 4 | BONNET | C83600 |
| 5 | STEM NUT | C37700 |
| 6 | PACKING GLAND | PTFE |
| 7 | COMPRESSION NUT | C37700 |
| 8 | HANDWHEEL | ALL |

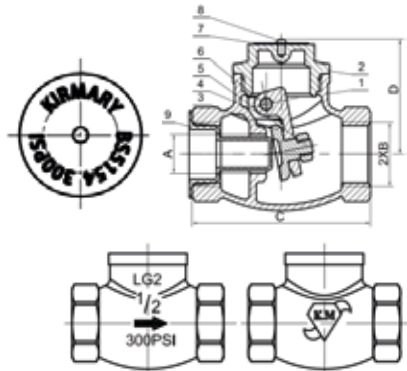
| Z108 | | | | | | | | |
|------|------|-------|--------|------|--------|------|----|------|
| DN | L | H | D1 (Ø) | Ø P | A | B | S | WT |
| ½ | 49.5 | 73.9 | 12.7 | 56 | RC ½ | 15 | 27 | 271 |
| ¾ | 53.5 | 88.3 | 19.1 | 68.5 | RC ¾ | 16.5 | 34 | 398 |
| 1 | 62 | 111.3 | 25.4 | 75 | RC1 | 18 | 40 | 563 |
| 1 ¼ | 70 | 117.9 | 31.8 | 80 | RC 1 ¼ | 20 | 50 | 856 |
| 1 ½ | 77 | 136.5 | 38.2 | 93 | RC 1 ½ | 21.5 | 58 | 1260 |
| 2 | 87 | 166.5 | 50.9 | 100 | RC 2 | 26 | 70 | 1886 |

E-mail: sales@kirmary.com
info@kirmary.com
kirmary@kirmary.com

website: www.kirmary.com



BRONZE CHECK VALVE



KIRMARY

KM700

BRONZE CHECK VALVE

Sizes: 1/2"- 3/4"- 1"- 1 1/4"- 1 1/2"- 2"
 Designed to BS 5154
 Pressure Rating: 300Psi
 Working Medium: Water, Oil, Steam
 Horizontal Swing Pattern • Threaded Cover
 Suitable for mounting in horizontal and vertical pipe
 (with vertical flow upwards)
 NPT Thread

| CODE | DESCRIPTION | MATERIAL |
|------|------------------|----------|
| 1 | BODY | C83600 |
| 2 | CAP | C83600 |
| 3 | SWING CHECK | C83600 |
| 4 | STEM | C37700 |
| 5 | SCREW | HPb59-1 |
| 6 | STOP PEN | S304 |
| 7 | NAME PLATE | AL |
| 8 | BOLT | S304 |
| 9 | PROTECTIVE COVER | PP |

| BRONZE CHECK VALVE | | | | |
|--------------------|----|----------------|-----|----|
| DN | A | B | C | D |
| Y2 | 13 | 1/2-14NPT | 59 | 37 |
| % | 18 | 3/4-NPT | 66 | 44 |
| 1 | 25 | 1-11.5NPT | 76 | 50 |
| 1X4 | 32 | 1 1/4-1.1.5NPT | 88 | 58 |
| 1M | 42 | 1 1/2-11.5NPT | 92 | 63 |
| 2 | 40 | 2.11.5NPT | 112 | 72 |

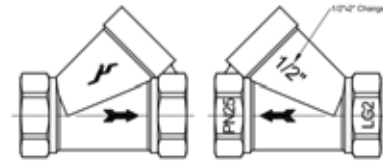
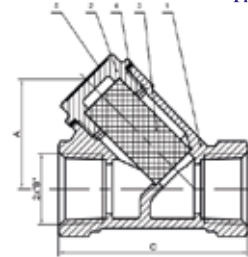
E-mail: sales@kirmary.com
info@kirmary.com
kirmary@kirmary.com

website: www.kirmary.com

STRAINER



KIRMARY
For Engineering Supplies
Fire Protection System



KIRMARY

STRAINER

PN20

Size: ½ - ¾ - 1 - 1 ¼ - 1 ½ - 2

WRAS APPROVED

| CODE | DESCRIPTION | MATERIAL |
|------|---------------|----------|
| 1 | BODY | CC491K |
| 2 | BONNET | CC491K |
| 3 | FILTER SCREEN | 304 |
| 4 | SHIM | PTFE |
| 5 | FAMOUS BRAND | ALUMINUM |

| DN | A | B | C | WEIGHT(g) |
|-----|----|--------|-----|-----------|
| ½ | 33 | Rc ½ | 58 | 200 |
| ¾ | 41 | Rc ¾ | 70 | 295 |
| 1 | 49 | Rc 1 | 88 | 419 |
| 1 ¼ | 56 | Rc 1 ¼ | 96 | 679 |
| 1 ½ | 62 | Rc 1 ½ | 107 | 979 |
| 2 | 80 | Rc 2 | 126 | 1503 |

E-mail: sales@kirmary.com
info@kirmary.com
kirmary@kirmary.com

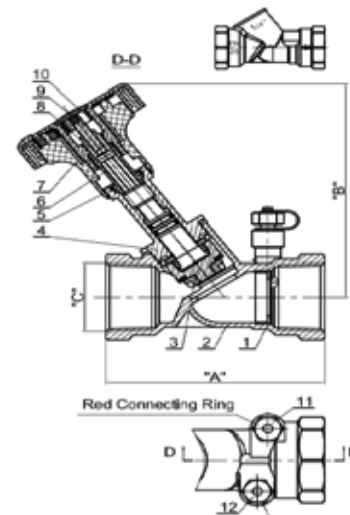
website: www.kirmary.com



BALANCING VALVE



KIRMARY
For Engineering Supplies
Fire Protection System



KIRMARY BALANCING VALVE

PN25

Size: ½ - ¾ - 1 - 1 ¼ - 1 ½ - 2

WRAS APPROVED

| CODE | DESCRIPTION | MATERIAL |
|------|--------------------------|-----------|
| 1 | BODY | C83600 |
| 2 | Retaining Ring | CW602N |
| 3 | Stem Assembly | / |
| 4 | Bonnet | CW602N |
| 5 | Circlip | 304 |
| 6 | Connecting Rod | CW602N |
| 7 | Handwheel Assembly | PA66+30GF |
| 8 | Connecting Screw | CW602N |
| 9 | Internal Hexagonal Screw | 304 |
| 10 | Stuffy Cover | ABS |
| 11 | Exhaust Nozzle | / |
| 12 | Exhaust Nozzle | / |

| DN | A | B | C | WEIGHT(g) | Working Pressure | Working Temperature | Design Standard |
|-----|------|-------|--------|-----------|------------------|---------------------|-----------------|
| ½ | 87.0 | 108.4 | Rc ½ | 559 | PN25 | -10° C to 85° C | BS 7350:1990 |
| ¾ | 96.0 | 110.4 | Rc ¾ | 630 | | | |
| 1 | 100 | 113 | Rc 1 | 875 | | | |
| 1 ¼ | 114 | 133.5 | Rc 1 ¼ | 1049 | | | |
| 1 ½ | 125 | 146.7 | Rc 1 ½ | 1455 | | | |
| 2 | 146 | 149 | Rc 2 | 2083 | | | |

E-mail: sales@kirmary.com
info@kirmary.com
kirmary@kirmary.com

website: www.kirmary.com



HC-105
Fire Hydrant Landing Valve
size:
2-1/2"



HC-106
Fire Hydrant Landing Valve
(QLD) –BSP Inlet W/CAP
size:
2-1/2"



HC-107
Fire Hydrant Landing Valve
(QLD) –RG Inlet W/CAP
size:
2-1/2"



HC-108
Fire Mill Cock Valve Storj
(VIC) –VIC Inlet W/CAP
size:
2-1/2" e



HC-109
Fire Hydrant Landing Valve
(SA) –RG Inlet W/CAP
size:
2-1/2"



HC-110
Fire Hydrant Landing Valve
size:
2-1/2"



HC-111
Fire Mill Cock Valve CFA
(QLD) –VIC Inlet W/CAP
size:
2-1/2"

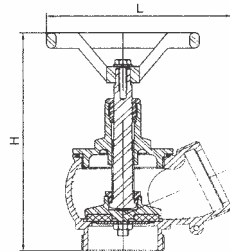


HC-112
Fire Hydrant Landing Valve
size:
2-1/2"

FIRE PROTECTION PRODUCTS

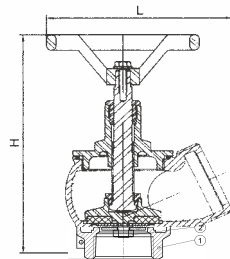


KIRMARY
For Engineering Supplies
Fire Protection System



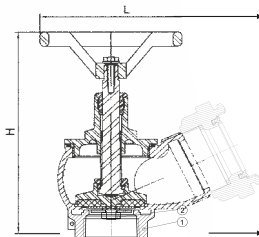
HC-113
Thread Fire Hydrant Valve
1. Body : Copper Alloy
Handwheel : Grey Cast Iron or Aluminum
2. Inlet thread connection Std: (G , Rc , Rp) BSP , BSPT, NPT
Outlet thread connection Std: (G , Rc , Rp) BSP , BSPT, NPT, NST
3. Pressure Test: 24 bar
4. Manufacture and certified to DIN14461-3

| DN | SIZE | L | H |
|------|--------|-----|-----|
| DN25 | 1" | 75 | 105 |
| DN40 | 1 1/2" | 110 | 130 |
| DN50 | 2" | 135 | 170 |
| DN65 | 2 1/2" | 150 | 180 |

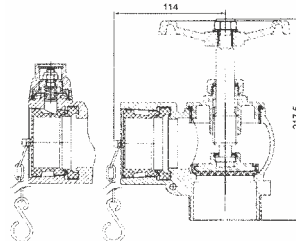


HC-114
Thread Fire Hydrant Valve
1. Body : Copper Alloy
Handwheel : Grey Cast Iron or Aluminum
2. Inlet thread connection Std: (G , Rc , Rp) BSP , BSPT, NPT
Outlet thread connection Std: (G , Rc , Rp) BSP , BSPT, NPT, NST
3. Pressure Test: 24 bar
4. Manufacture and certified to DIN14461-3

| DN | SIZE | L | H |
|------|--------|-----|-----|
| DN25 | 1" | 75 | 105 |
| DN40 | 1 1/2" | 110 | 130 |
| DN50 | 2" | 135 | 170 |
| DN65 | 2 1/2" | 150 | 180 |



HC-115
Stoz Type Fire Hydrant Landing Valve
2"



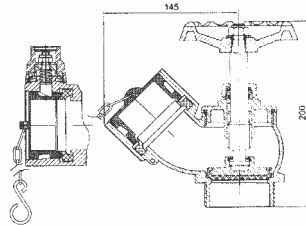
HC-116
Right Angle Thread Fire Hydrant Valve
2 1/2"
1. body: Copper Alloy to BS1400
Handle wheel; Grey Cast Iron to BS1452 or Aluminum
2. Inlet thread connection Std: (G, Rc, rp) BSP, BSPT
Outlet: Female instantaneous to BS336 and other connections.
Pressure Test: 22.5 bar
3. Manufacture and Certified to BS5041 part 1*

E-mail: sales@kirmary.com
info@kirmary.com
kirmary@kirmary.com

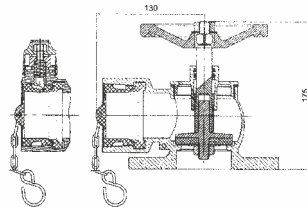
website: www.kirmary.com



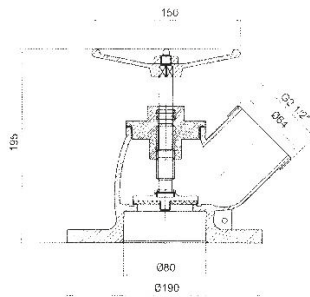
KIRMARY
For Engineering Supplies
Fire Protection System



HC-117
Oblique Thread Fire Hydrant Valve
1. Body : Copper Alloy to BS 1400
Handwheel: Grey Cast Iron to BS 1452 or Aluminum
2. Inlet thread connection Std: (G, Rc, Rp) BSP, BSPT
Outlet : Female instantaneous to BS 336 and other connections
3. Pressure Test: 22.5 bar
4. Manufacture and certified to BS 5041 Part 1*



HC-118
Right Angle Flange Fire Hydrant Valve
1. Body : Copper Alloy to BS 1400
Handwheel: Grey Cast Iron to BS 1452 or Aluminum
2. Inlet Flange Connection Std: S, ANSI, JIS, DIN Standard
Outlet : Female instantaneous to BS 336 and other connections
3. Pressure Test: 22.5 bar
4. Manufacture and certified to BS 5041 Part 1*



HC-119
Oblique Fire Hydrant Valve
1. Body: Bronze or Brass
Handwheel: Grey Cast Iron or Aluminum
2. Inlet Flange Connection Std: S, ANSI, JIS, DIN Standard
Outlet : thread connection Std: (G, Rc, Rp) BSP, BSPT
3. Pressure Test: 24 bar



HC-120
45° John Morris Fire Hydrant
Specification: 40/50/65mm
1. body: Copper Alloy to BS1400
Handle wheel; Grey Cast Iron to BS1452 or Aluminum
2. Coupling: BS336, STORZ, JOHN MORRIS etc
Pressure Test: 22.5 bar
4. Manufacture and Certified to BS5041 part 1*



FIRE PROTECTION PRODUCTS



HC-121
Product Code Product Description

100mm R/G Dual Bottom Entry Booster-Stainless Steel 304 Grade
Supplied with 65mm pressure gauge caps or plugs.

BOTTOM ENTRY WITH ALUM STORZ
BOTTOM ENTRY WITH BI INLET



HC-122
100mm R/G Dual Rear (Back) Entry Booster-Stainless Steel 304 Grade
Supplied with 65mm pressure caps or plugs.

REAR ENTRY BOOSTER WITH ALUM STORZ INL
REAR ENTRY BOOSTER WITH BI INLET



HC-123
FEATURES
Suitable for inlet pressure up to 20bar
Reduced outlet static pressure can be set from 5 to 8bar
Outlet pressure remain constant with inlet pressure range form 7bar to 20bar
Pressure test to 30bar
Minimum Flowrate up to 1400L/M



HC-124
PRESSURE REGULATING VALVE 'E' TYPE
Inlet Size
Male BSP Thread 65mm
BS 10 Table E Glange 65mm
ANSI 150 Flange 65mm
BS 4504 PN16 65mm
ANSI 150 FF Flange 80mm

E-mail: sales@kirmary.com
info@kirmary.com
kirmary@kirmary.com

website: www.kirmary.com



HC-128
Brass Ball Valve
1/4"-4"
CSA , NSF and UL approved



HC-129
Brass Check Valve
Size: 1/2"-4"



HC-130
Bronze 3-way globe Valve
1/4"



HC-131
United Truck Valve



HC-132
Bronze Pressure Relief Valve
175PSI(CSA)
NSF/ANSI 61
NSF/ANSI 372
Size: 3/4"



HC-133
Globe Valve
175PSI
Size: 1/2"-2"



HC-134
Controlled 45° WYE Divider
11/2" inlet x 1" outlet
2 1/2" inlet x 1 1/2" outlet
4" inlet x 2 1/2" outlet



HC-135
Controlled 45° WYE Divider With (AL) Adaptors
11/2" inlet x 1" outlet
2 1/2" inlet x 1 1/2" outlet
4" inlet x 2 1/2" outlet



FIRE PROTECTION PRODUCTS



HC-136
Brass Nozzle
F1.5"NH Inlet x ϕ 25 Outlet



HC-137
Brass Nozzle
F1.5"BSP Inlet x ϕ 33 Outlet



HC-138
Brass Nozzle
F1.5"NH Inlet x ϕ 22 Outlet



HC-139
Brass Nozzle
F1.5"BSP Inlet x ϕ 24 Outlet



HC-140
Brass Nozzle
F2.5"NH Inlet x ϕ 29 Outlet
F2.5"BSP Inlet x ϕ 29 Outlet



HC-141
Brass Nozzle
F1.5"NH Inlet x ϕ 28.5 Outlet
F1.5"BSP Inlet x ϕ 28.5 Outlet



HC-142
Brass Nozzle
F1.5"NH Inlet x ϕ 21.5 Outlet
F1.5"BSP Inlet x ϕ 21.5 Outlet



HC-143
Brass Nozzle
F1"BSP Inlet x ϕ 16 Outlet

E-mail: sales@kirmary.com
info@kirmary.com
kirmary@kirmary.com

website: www.kirmary.com

FIRE HOSE COUPLING SERIES





FIRE PROTECTION PRODUCTS



KIRMARY
For Engineering Supplies
Fire Protection System



HC-201
Storz Coupling
Material: Brass or Aluminum
Connection Method: Binding Expansion
Type: Hermaphroditic
Reference Standard: DIN 14302 DIN 14303
Specifications: 1" 1-1/2" 2" 2-1/2" 3" 4" 6"
Remarks: Aluminum Storz coupling often divides into long tail and short tail. Its production technique often uses die-casting or pouring/teeming practice. And the brass Storz coupling often uses forging or hammering.



HC-202
John Morris Coupling
Material: Brass or Aluminum
Connection Method: Binding
Type: Buckle Flush (Rapid plug-in)
Reference Standard: Bs336
Specifications: 1-1/2" x 1-1/2" 1-1/2" x 2-1/2" 2-1/2"
Remarks: Aluminum John Morris coupling often uses die-casting or pouring practice production technique. And the brass one often uses forging or hammering technique.



HC-203
American Coupling
Material: Brass or Aluminum
Connection Method: Expansion
Reference Standard: NFPA 1963



HC-204
Types: NH, NST, NPT, BSP
Remarks: Aluminum American coupling often divides into seam and seamless. And the brass one often uses forging technique. NH coupling is often used for forest fire control.

E-mail: sales@kirmary.com
info@kirmary.com
kirmary@kirmary.com

website: www.kirmary.com



HC-205
Nakajima Coupling
Material: Brass or Aluminum
Connection Method: Binding
Type: Buckle
Reference Standard: JISB 9911/9912/9913 JISF-7335
Specifications: 1-1/2" 2" 2-1/2"



HC-206
Machino Coupling
Material: Brass or Aluminum
Connection Method: Binding
Type: Flush bonding (Rapid plug-in)
Reference Standard: JISB 9911/9912/9913 JISB-9911
Specifications: 1-1/2" 2" 2-1/2" 3"



HC-207
French Coupling
Material: Brass or Aluminum
Connection Method: Binding
Type: Buckle
Reference Standard: NF-S61-704 NF-S61-705
Specifications: 1" 1-1/2" 1-3/4" 2" 2-1/2"



HC-208
Russian Coupling
Material: Brass or Aluminum
Connection Method: Binding
Type: Buckle
Reference Standard: GOST
Specifications: 2" 2-1/2" 3"



FIRE PROTECTION PRODUCTS



KIRMARY
For Engineering Supplies
Fire Protection System



HC-209
Italy Coupling
Material: Brass or Aluminum
Connection Method: Binding
Type: Threaded
Specifications: UNI 45 UNI 70
Aluminum Italy coupling often divides into long tail and short tail.



HC-210
Canada Coupling
Material: Aluminum
Connection Method: Expansion
Type: Buckle
Reference Standard: ULC-S 511-99
Specifications: 1-1/2"
Remarks: Canada coupling is often used as forestry coupling
Cam-lock Coupling
Material: Aluminum ; Stainless Steel ; Brass
Connection Method: Binding
Types: Buckle Threaded Flush (Rapid plug-in)
Specifications: 2" 2-1/2" 3" 4" 5" 6"
Type: A+B C+E D+F



HC-211
Norwegian Coupling
Material: Brass
Connection Method: Binding
Type: Buckle
Specifications: 2" 2-1/2"
Remarks: Norwegian Coupling is often used for fire prevention on ships.



HC-212
Swedish Coupling
Material: Brass
Connection Method: Binding
Type: Hermaphroditic
Specifications: 1-1/2" 2" 2-1/2" 3"

E-mail: sales@kirmary.com
info@kirmary.com
kirmary@kirmary.com

website: www.kirmary.com



HC-213
Russian (Rolu) Coupling
Material: Brass or Aluminum
Connection Method: Binding
Type: Buckle
Reference Standard: GOST
Specifications: 1-1/2" 2" 2-1/2" 3"



HC-214
Bsp&Pf Coupling
Material: Brass or Aluminum
Connection Method: Binding
Type: Threaded
Reference Standard: BSP21
JIS B-202
Specifications: 1" 1-1/2" 2" 2-1/2"



HC-215
USA Pin Coupling
Material: Brass or Aluminum
Connection Method: Binding
Reference Standard: NH(NST)
Specifications: 1" 1-1/2" 2" 2-1/2"



FIRE PROTECTION PRODUCTS



KIRMARY
For Engineering Supplies
Fire Protection System



HC-216
Brass Hydrant Adapters With Pin Lug
1 1/2" Female x 1 1/2" Male
2 1/2" Female x 2 1/2" Male
2 1/2" Female x 2" Male
3" Female x 2 1/2" Male



HC-217
Brass Female to Male Hex Adapter
1 1/2" Female x 2" Male
1 1/2" Female x 2 1/2" Male
2 1/2" Female x 3" Male



HC-218
Brass Female to Male Hex Nipples
1" Female x 3/4" Male
1" Female x 1" Male
1 1/2" Female x 1 1/2" Male
2 1/2" Female x 2" Male
2 1/2" Female x 2 1/2" Male



HC-219
Brass Plug with Chain-Pin Lug
1 1/2", 2 1/2", 3"



HC-220
Brass Double Female Swivel With Pin Lug
1 1/2", 2 1/2"



HC-221
Brass Male Swivel Adapters With Pin Lug
1 1/2" Female x 1 1/2" Male
2 1/2" Female x 1 1/2" Male
2 1/2" Female x 2" Male
2 1/2" Female x 2 1/2" Male
2 1/2" Female x 3" Male



HC-222
Brass Double Male Hex Nipple
1 1/2", 2 1/2"



HC-223
Brass Double Male Pin Lug
1 1/2", 2 1/2"

E-mail: sales@kirmary.com
info@kirmary.com
kirmary@kirmary.com

website: www.kirmary.com



HC-224
Brass Expansion Coupling Pin Lug Type
1-1/2"
2"NST
2-1/2"



HC-225
Brass Expansion Coupling Rocker Type
1-1/2" NPSH
2-1/2"



HC-226
Brass Cap With Chain-Pin Lug
1 1/2", 2 1/2", 4" 4-1/2"



HC-227
Storz Couplings
Aluminium Alloy/Brass-Forged
Storz25-DIN14306
Storz52-DIN14307
Storz65-NEN3374
Storz75-DIN14308



HC-228
Storz Male
Aluminium Alloy/Brass-Forged
Storz25-DIN14306
Storz52-DIN14307
Storz65-NEN3374
Storz75-DIN14308



HC-229
Storz Reducers
Aluminium Alloy/Brass-Forged
Storz25-DIN14306
Storz52-DIN14307
Storz65-NEN3374
Storz75-DIN14308



HC-230
Storz Female
Aluminium Alloy/Brass-Forged
Storz25-DIN14306
Storz52-DIN14307
Storz65-NEN3374
Storz75-DIN14308



HC-231
Storz Cap
Aluminium Alloy/Brass-Forged
Storz25-DIN14306
Storz52-DIN14307
Storz65-NEN3374
Storz75-DIN14308



FIRE PROTECTION PRODUCTS



HC-242
American Nozzle

INTERNAL VALVE FIRE HYDRANT



HC-243

This hydrant is operated by using a hydrant wrench to turn the operating mechanism at the top of the hydrant which will open the valve seat. It is available in two sizes 4" and 6"

SPECIFICATION

Body : Cast Iron
Valve seat : Nylon
Valve seat ring : Bronze
Test Pressure : 20 Bar (300 psi)
working Pressure: 10 Bar (145 psi)

| Outlet | Inlet |
|---|-----------------|
| 2× (2-1/2") male thread, 1× (4") male thread | 4" PN16 BS 4504 |
| 2× (2-1/2") control valve with female BS instantaneous outlet, 1× (4") male thread | 4" PN16 BS 4504 |
| 2× (2-1/2") control valve with female BS instantaneous outlet, 1× (4") monitor unit | 4" PN16 BS 4504 |
| 2× (2-1/2") male thread, 1× (4") male thread | 6" ANSI 150RF |
| 2× (2-1/2") control valve with female BS instantaneous outlet, 1× (4") male thread | 6" ANSI 150RF |

Refer to landing valve section for type of control valver Extension pipe available upon request

TRAFFIC IMPACT HYDRANT

The main valve will remain tightly closed even if the hydrant is accidentally damaged by traffic impact.

| Outlet | Inlet |
|--|-------------|
| 2× (2-1/2") control valve with female BS instantaneous outlet, 1× (4") male thread | 6" ANSI 150 |

HC-244

FIRE HOSE, TYPE 1

Internal rubber lining combined with closely woven polyester fibre. Direct vulcanisation, high adhesion between jacket and lining. Standard length: 30m Available colour: Red or White Manufactured to BS 6391



| WORKING PRESSURE 10 BAR (145 PSI) / BURST PRESSURE 30 BAR (435 PSI) | | WORKING PRESSURE 16 BAR (232 PSI) / BURST PRESSURE 48 BAR (696 PSI) | |
|---|--------|---|--------|
| Size | Colour | Size | Colour |
| 2-1/2" (65mm) | White | 2-1/2" (65mm) | White |
| 2 1/2" (65mm) C/W Coupling | White | 2" (50mm) | White |
| 2" (50mm) | White | 1-3/4" (45mm) | White |
| 1-3/4" (45mm) | White | 1-1/2" (38mm) | White |
| 1-1/2" (38mm) | White | 2-1/2" (65mm) | Red |
| 2-1/2" (65mm) | Red | 2" (50mm) | Red |
| 2" (50mm) | Red | 1-3/4" (45mm) | Red |
| 1-3/4" (45mm) | Red | 1-1/2" (38mm) | Red |
| 1-1/2" (38mm) | Red | | |

E-mail: sales@kirmary.com
info@kirmary.com
kirmary@kirmary.com

website: www.kirmary.com



KIRMARY International L.L.C.

KIRMARY USA Office

KIRMARY International L.C.C.

Address: 91 LINDEN AVE IRVINGTON TOWNSHIP, NEW JERSEY 07111

MOB.+15517553043

KIRMARY DUBAI Office

KIRMARY TRADING L.L.C

Address: PT2-C05 MALAK DUBAI INDUSTRIAL CITY

MOB. +971 54 477 8505

KIRMARY Egypt Office

KIRMARY FOR ENGINEERING SUPPLIES

Address: 5 A Khaled Ebn El Waleed St., Sheraton, Cairo, Egypt

MOB. 012 27905248